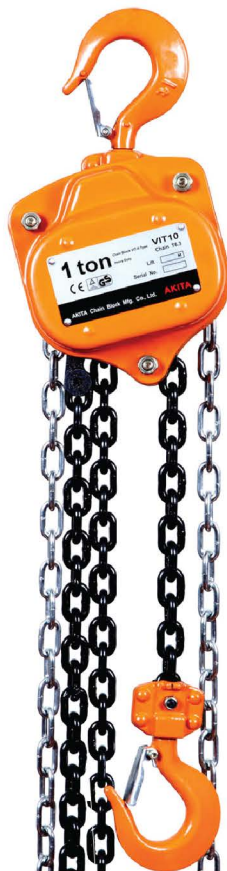


AKITA

AKITA



Electric Chain Hoist
Manual Hoist
Lever Hoist
Manual Trolley
Wire Rope Pulling Hoist
Beam Clamp
Plate Clamp

Scan to download
E-Catalog



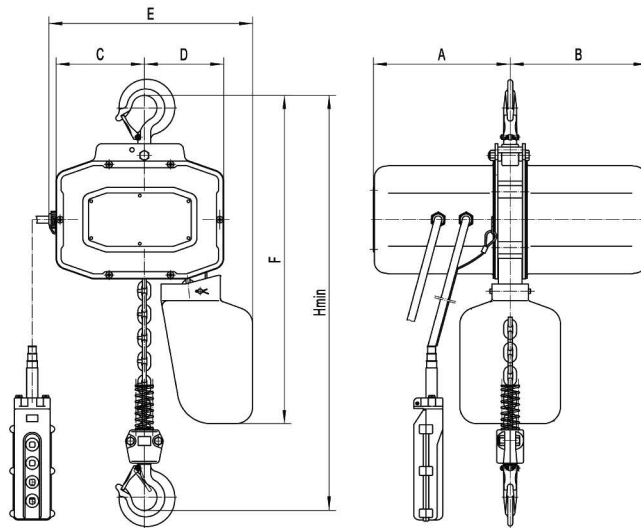
Electric Chain Hoist - Model B-1



Main Features

- Electromagnetic brake holds a load even if power is interrupted
- Upper and lower limit switches prevent over-travel
- Built-in chain bag keeps chain out of the way during operation
- Ventilated heavy-duty motor shut down to prevent overheating
- Heat-treated, drop-forged hooks swivel 360 degree for easy rigging
- Permanently lubricated gear train delivers a long life with low maintenance
- Integrated slip clutch ensures continuous duty and tension control and protects transmission from overload

Technical Parameters



1Phase 220V

| Model | Rated Load (ton) | Lifting Speed (m/min) | Motor Output (kW) | Duty Class | %ED | Motor Insulation Class | Load Chain | | Test Load (ton) | Net Weight (Lift 6 m) (kg) |
|---------|------------------|-----------------------|-------------------|------------|-----|------------------------|------------|-------------|-----------------|----------------------------|
| | | | | | | | Dia. (mm) | No of falls | | |
| B-1-005 | 0.5 | 7.0 | 1.2 | M4 | 30% | F | 7.1 | 1 | 0.625 | 55 |
| B-1-010 | 1.0 | 6.0 | | | | | | | 1.25 | 60 |
| B-1-020 | 2.0 | 3.0 | | | | | | 2 | 2.50 | 65 |

* Height of lift can be changed upon the usage.

| Model | Rated Load (ton) | Dimension (mm) | | | | | | Min. Headroom H (mm) |
|---------|------------------|----------------|-----|-----|-----|-----|-----|----------------------|
| | | A | B | C | D | E | F | |
| B-1-005 | 0.5 | 245 | 245 | 158 | 142 | 350 | 600 | 520 |
| B-1-010 | 1.0 | | | | | | | 550 |
| B-1-020 | 2.0 | | | 124 | 176 | | 650 | 630 |

Manual Chain Hoist VIT-II Series

AKITA

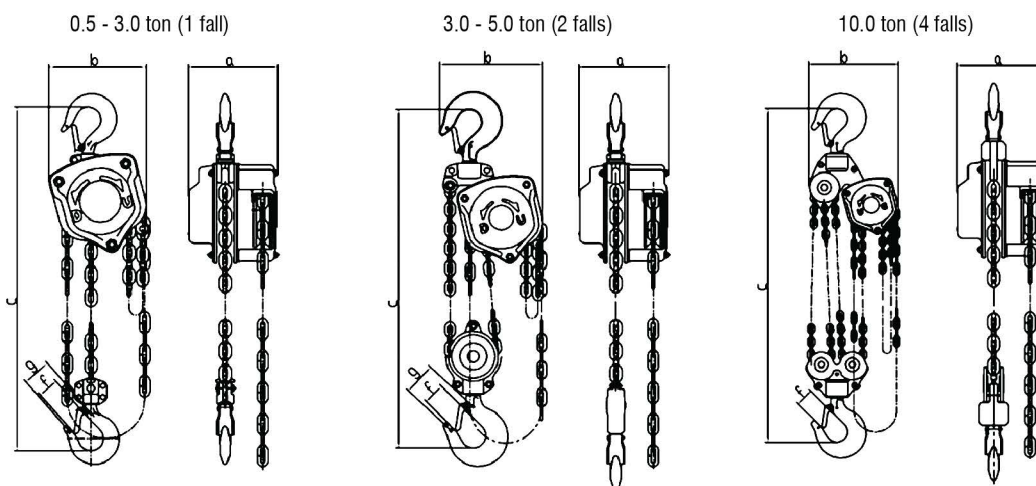
Manual Chain Hoist - Model VIT-II



Main Features

- Meets all pertinent world standards
- Lightweight high strength grade 100 alloy steel load chain
- Compact design for limited headroom applications
- High strength steel frame and gear case built to be durable for the rugged needs of construction and maintenance rigging
- Heat-treated spur gear efficiently designed to provide smooth load handling and low hand chain pull
- Reinforced double pawl brake system and larger dia. pawl springs ensure reliable brake
- Open frame design for self-cleaning, quick load sheave inspection and easy hoist maintenance

Technical Parameters



| Model | Rated Load (ton) | Load Chain | | Pulling Effort (N) | Dimension (mm) | | | | | Test Load (ton) | Net Weight (Lift 3m) (kg) |
|--------|------------------|------------|--------------|--------------------|----------------|-----|-----|------|------|-----------------|---------------------------|
| | | Dia. (mm) | No. of falls | | a | b | c | f | g | | |
| VIT05 | 0.5 | V 5.0 | 1 | 250 | 127 | 144 | 285 | 27 | 35 | 0.75 | 9.0 |
| VIT10 | 1.0 | V 6.3 | | 330 | 147 | 157 | 315 | 33 | 45 | 1.5 | 12.2 |
| VIT15 | 1.5 | V 7.1 | | 340 | 147 | 174 | 340 | 33.5 | 47 | 2.25 | 14.5 |
| VIT20 | 2.0 | V 8.0 | | 340 | 179 | 204 | 380 | 37 | 52 | 3.0 | 21.0 |
| VIT30 | 3.0 | V 7.1 | 2 | 350 | 147 | 206 | 475 | 43.5 | 62.5 | 4.5 | 22.0 |
| VIT30B | 3.0 | V 9.0 | 1 | 380 | 182 | 263 | 550 | 43.5 | 62.5 | 4.5 | 34.0 |
| VIT50 | 5.0 | | 2 | 390 | 179 | 263 | 600 | 51 | 78 | 7.5 | 40.0 |
| VIT100 | 10.0 | | 4 | 410 | 179 | 367 | 740 | 64 | - | 15.0 | 89.4 (Std. 5 m) |

* Height of lift can be changed upon the usage.

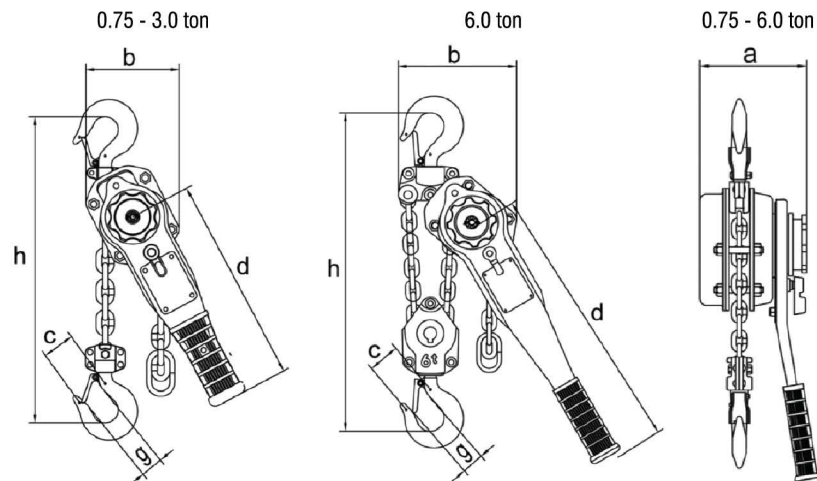
Lever Chain Hoist (Steel body) - Model KIT-III



Main Features

- High impact gear and brake cover
- Simple load chain guide system - allows horizontal operation
- Reasonable pulling force to rated capacity
- Light weight - ultra compact design
- Stop knob can protect the hoist even the user wrongly put the load on end reing
- G100 load chain - 25% stronger than G80 load chain
- Superior rubber grip
- Simple design makes inspection or maintenance fast and easy
- Complied with EN13157

Technical Parameters

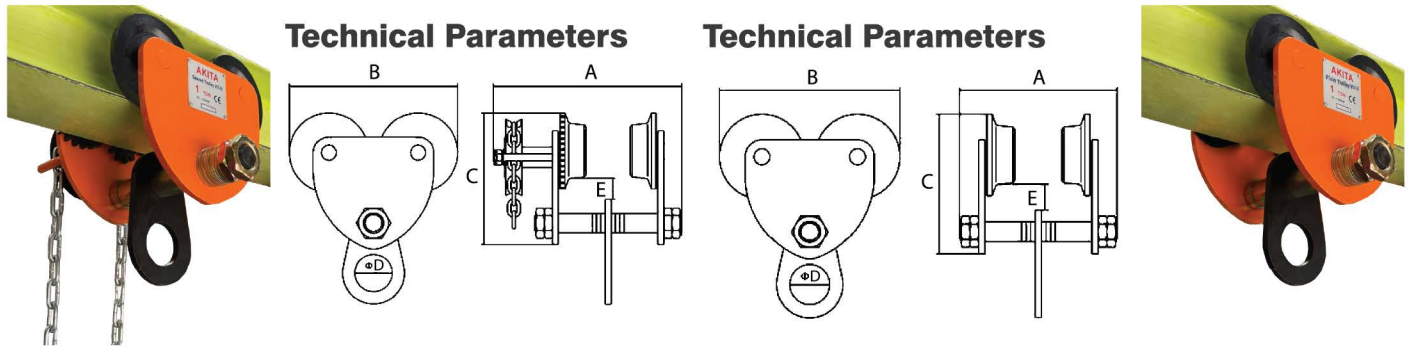


| Model | Rated Load (ton) | Load Chain | | Pulling Effort (N) | Dimension (mm) | | | | | | Test Load (ton) | Net Weight (Lift 1.5 m) (kg) |
|---------|------------------|------------|--------------|--------------------|----------------|-----|------|-----|------|-----|-----------------|------------------------------|
| | | Dia. (mm) | No. of falls | | a | b | c | d | g | h | | |
| KIT3075 | 0.75 | V 5.6 | 1 | 237 | 148 | 121 | 37.5 | 265 | 27.0 | 280 | 1.13 | 6.2 |
| KIT3150 | 1.5 | V 7.1 | | 258 | 165.5 | 141 | 47.0 | 415 | 33.5 | 350 | 2.25 | 9.6 |
| KIT3300 | 3.0 | V 10.0 | | 366 | 194.5 | 178 | 62.5 | 415 | 43.5 | 420 | 4.5 | 15.5 |
| KIT3600 | 6.0 | | 2 | 376 | 194.5 | 228 | 78.0 | 415 | 51.0 | 570 | 9.0 | 27.0 |

* Height of lift can be changed upon the usage.

Manual Trolley VIT-III & VIT-II & QIT Series

AKITA



Geared Trolley - Model VIT-III

| Model | Rated Load (ton) | Beam Width (mm) | Min. Curve Radius (m) | Dimension (mm) | | | | | Test Load (ton) | Net Weight (H.C. 3 m) (kg) |
|---------|------------------|-----------------|-----------------------|----------------|-----|-------|----|-------|-----------------|----------------------------|
| | | | | A | B | C | D | E | | |
| VIT010B | 1.0 | 75 - 125 | 1.0 | 255 | 204 | 164 | 45 | 18.25 | 1.5 | 11.6 |
| VIT020B | 2.0 | 100 - 150 | 1.1 | 292 | 233 | 180 | 60 | 21 | 3.0 | 16.1 |
| VIT030B | 3.0 | 100 - 150 | 1.3 | 314 | 279 | 224.5 | 70 | 17 | 4.5 | 24.7 |
| VIT050B | 5.0 | 125 - 175 | 1.4 | 360 | 306 | 252 | 80 | 16.5 | 7.5 | 37.1 |

* Length of hand chain (H.C.) can be changed upon the usage.

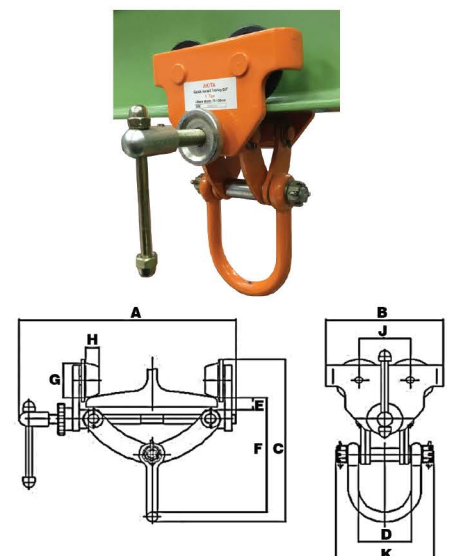
Plained Trolley - Model VIT-II

| Model | Rated Load (ton) | Beam Width (mm) | Min. Curve Radius (m) | Dimension (mm) | | | | | Test Load (ton) | Net Weight (kg) |
|---------|------------------|-----------------|-----------------------|----------------|-----|-------|----|-------|-----------------|-----------------|
| | | | | A | B | C | D | E | | |
| VIT005A | 0.5 | 75 - 125 | 0.9 | 200 | 170 | 134.5 | 35 | 19.5 | 0.75 | 4.6 |
| VIT010A | 1.0 | 75 - 125 | 1.0 | 210 | 204 | 164.0 | 44 | 18.25 | 1.5 | 7.4 |
| VIT020A | 2.0 | 100 - 150 | 1.1 | 242 | 233 | 180.0 | 60 | 21.0 | 3.0 | 11.9 |
| VIT030A | 3.0 | 100 - 150 | 1.3 | 262 | 279 | 224.5 | 45 | 17.0 | 4.5 | 20.0 |
| VIT050A | 5.0 | 125 - 175 | 1.4 | 297 | 306 | 252.0 | 60 | 16.5 | 7.5 | 32.1 |

Quick Install Plained Trolley - Model QIT

| Model | Rated Load (ton) | Beam Width (mm) | Min. Curve Radius (m) | Test Load (ton) | Net Weight (kg) |
|-------|------------------|-----------------|-----------------------|-----------------|-----------------|
| QIT05 | 0.5 | 75 - 130 | 0.7 | 0.75 | 4.6 |
| QIT10 | 1.0 | | 1.0 | 1.5 | 6.2 |
| QIT20 | 2.0 | 75 - 200 | | 3.0 | 7.5 |

| Model | Rated Load (ton) | Dimension (mm) | | | | | | | | | |
|-------|------------------|----------------|-----|-----------|----|----|-----------|----|----|----|-----|
| | | A | B | C | D | E | F | G | H | J | K |
| QIT05 | 0.5 | 240 | 170 | 195 - 220 | 60 | 22 | 120 - 145 | 57 | 20 | 78 | 110 |
| QIT10 | 1.0 | | 174 | 258 - 278 | 80 | | 178 - 198 | | | | 150 |
| QIT20 | 2.0 | | 330 | 178 | | | 271 - 315 | | | | |



Wire Rope Pulling Hoist – Model YAL

Backward & Forward lever
placed in tandem providing a slim design and assuring power transfer along the center

Built-in shearing pin
prevent overload
It functions at approx. 25% overload.
The pins can be replaced without removing the load.

Safety pin
fastens the anchor bolt



Anchor bolt
offers numerous and versatile connection possibilities with load hooks, sling ropes and sling chains

Spare shear pins
Two pieces of spare shear pins located in the carrying handle

Rope clamp system
easily disengaged with a lever allowing smooth installation of the wire rope

High strength cast aluminium alloy body
Light weight
Simple to operate
Smooth contour design with large, flat bottom surface for increased stability in horizontal as well as vertical working position

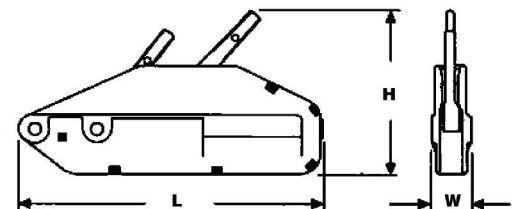
Stamped serial number
for easy identification

Galv. steel wire rope mounted on a reel

Every rope is operationally tested to 150% of the rated capacity and is issued with an individual test certificate



Adjustable lever handle
for easy operation

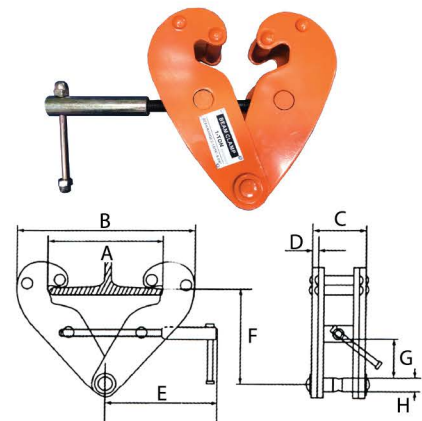


| Model | Rated Load (ton) | Pulling Capacity* (ton) | Wire Rope Dia. (mm) | Forward Travel (mm) | Effort at Rated Load (N) | Dimension (mm) | | | Net Weight (kg) | | |
|--------|------------------|-------------------------|---------------------|---------------------|--------------------------|----------------|-----|-----|-----------------|---------------|--------------|
| | | | | | | L | H | W | Body | 20m Wire rope | Lever Handle |
| YAL008 | 0.8 | 1.2 | 8.3 | 52 | 284 | 440 | 255 | 70 | 6.4 | 7.0 | 1.15 |
| YAL016 | 1.6 | 2.4 | 11.0 | 55 | 412 | 560 | 295 | 100 | 12.4 | 11.5 | 2.50 |
| YAL032 | 3.2 | 4.0 | 16.0 | 28 | 441 | 675 | 350 | 120 | 23.3 | 23.5 | 2.50 |

* Observe local regulations.

Beam Clamp - Model TBC

| Model | Rated Load (ton) | Beam Width (mm) | Dimension (mm) | | | | | | | Net Weight (kg) |
|-------|------------------|-----------------|----------------|-----|-----|-----|-----|----|----|-----------------|
| | | | A (max) | B | C | E | F | G | H | |
| TBC-1 | 1.0 | 75 - 220 | 260 | 180 | 64 | 215 | 102 | 25 | 22 | 4.0 |
| TBC-2 | 2.0 | | | 360 | 74 | | 155 | | | |
| TBC-3 | 3.0 | 80 - 320 | 354 | 235 | 103 | 260 | 140 | 45 | 24 | 9.1 |
| TBC-5 | 5.0 | | | 490 | 110 | | 225 | | | |



Vertical Plate Clamp - Model PCE

| Model | Rated Load (ton) | Grab Opening (mm) | Dimension (mm) | | | Net Weight (kg) |
|-------|------------------|-------------------|----------------|----|-----|-----------------|
| | | | C | G | H | |
| PCE10 | 1.0 | 0 - 20 | 125 | 50 | 260 | 3.8 |
| PCE20 | 2.0 | 0 - 30 | 165 | 58 | 304 | 6.0 |
| PCE30 | 3.0 | 0 - 35 | 175 | 60 | 362 | 9.3 |
| PCE50 | 5.0 | 0 - 45 | 218 | 65 | 416 | 18.5 |

