

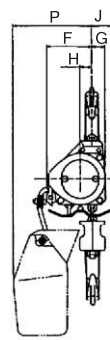
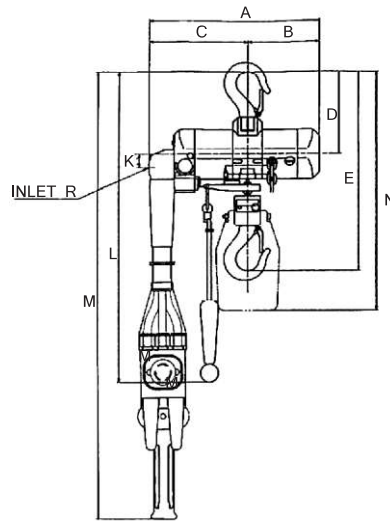


**TOKU**

## Regular speed Air Chain Hoist - Model TCR



TCR-250PE



TCR-250C

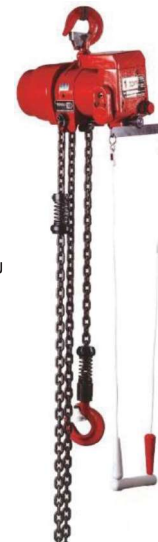
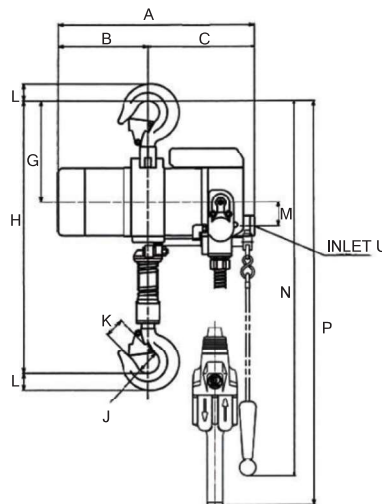
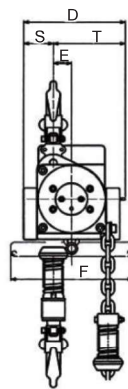
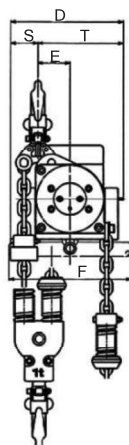
Item No.	Rated Load (ton)	Lift (m)	Lifting Speed (m/min)		Air Pressure (bar)	Air Consumption (m <sup>3</sup> /min)		Load Chain		Hose Dia. (mm)	Net Weight (kg)	Note
			Up	Down		Up	Down	Dia. (mm)	No. of falls			
TCR-250DPE	0.25	3	8.1	16.5	4 - 6	0.7	0.8	4.0	1	9.5	8.6	
TCR-250C			9.0	17.4		0.8	0.9				7.0	

Item No.	Dimensions (mm)													Min. Headroom E (mm)
	B	C	D	F	G	H	J	K	L	M	N	P	R	
TCR-250DPE	112	174	130	71	21	19	33	21	-	2,310	375	124	PT3/8	305
TCR-250C		137						-	1,660					

Operation Method : DPE = Direct Pendant control with Emergency stop , C = Pulling Cord control



TCR-2000PE



TCR-1000C

# Air Chain Hoist TCR Series

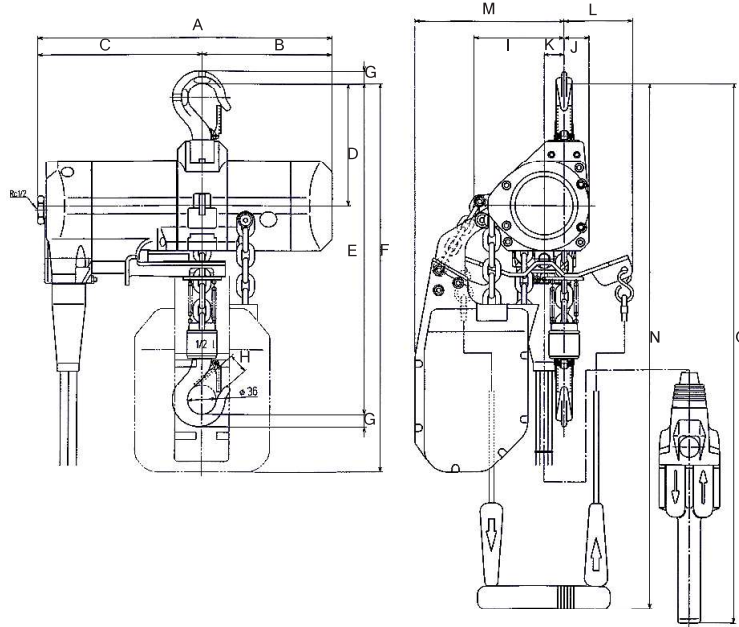


Item No.	Rated Load (ton)	Lift (m)	Lifting Speed (m/min)		Air Pressure (bar)	Air Consumption (m <sup>3</sup> /min)		Load Chain		Hose Dia. (mm)	Net Weight (kg)	Note		
			Up	Down		Up	Down	Dia. (mm)	No. of falls					
TCR-500PE	0.5	3	10.5	17.9	4 - 6	1.5	1.6	6.3	1	12.7	30.1			
TCR-500C											31.1			
TCR-1000P2E	1.0		5.3	9.0				7.1	2		34.2			
TCR-1000C2											35.2			
TCR-1000PE			1	6.0				10.3	1		32.9			
TCR-1000C											33.9			
TCR-2000P2E	2.0		3.0	5.2		2	38.7							
TCR-2000C2							39.7							
TCR-3000PE	3.0		2.8	4.6		1	2.0	2.6	11.2		1	19.0	69.0	
TCR-3000C													70.0	
TCR-6000P2E	6.0		1.4	2.3		2							90.2	
TCR-6000C2													91.2	

Item No.	Dimensions (mm)														Min. Headroom H (mm)																				
	B	C	E	F	G	J	K	L	M	N	P	S	T	U																					
TCR-500PE	156	186	32	-	177	40	29	29	42	-	2,620	52	124	Rc1/2	462																				
TCR-500C				212						1,860	-																								
TCR-1000P2E			56	-						212	-	29	-		-	-	-	2,620	47	148	-	519													
TCR-1000C2																							1,860	-											
TCR-1000PE																							32	-	212	-	-	-	-	-	2,620	40	124	-	466
TCR-1000C																																			
TCR-2000P2E			59	-						212	-	211	45		37	-	-	2,650	50	152	-	580													
TCR-2000C2																							1,890	-											
TCR-3000PE			202	247						43	-	249	50		34	45	-	-	2,690	47	176	-	563												
TCR-3000C											212													1,930	-										
TCR-6000P2E										87	-									212	-		275	65	42	49	-	2,720	63	220	-	690			
TCR-6000C2																																	1,960	-	

Operation Method : PE = Pendant control with Emergency stop , C = Pulling Cord control

## High speed Air Chain Hoist - Model TCS

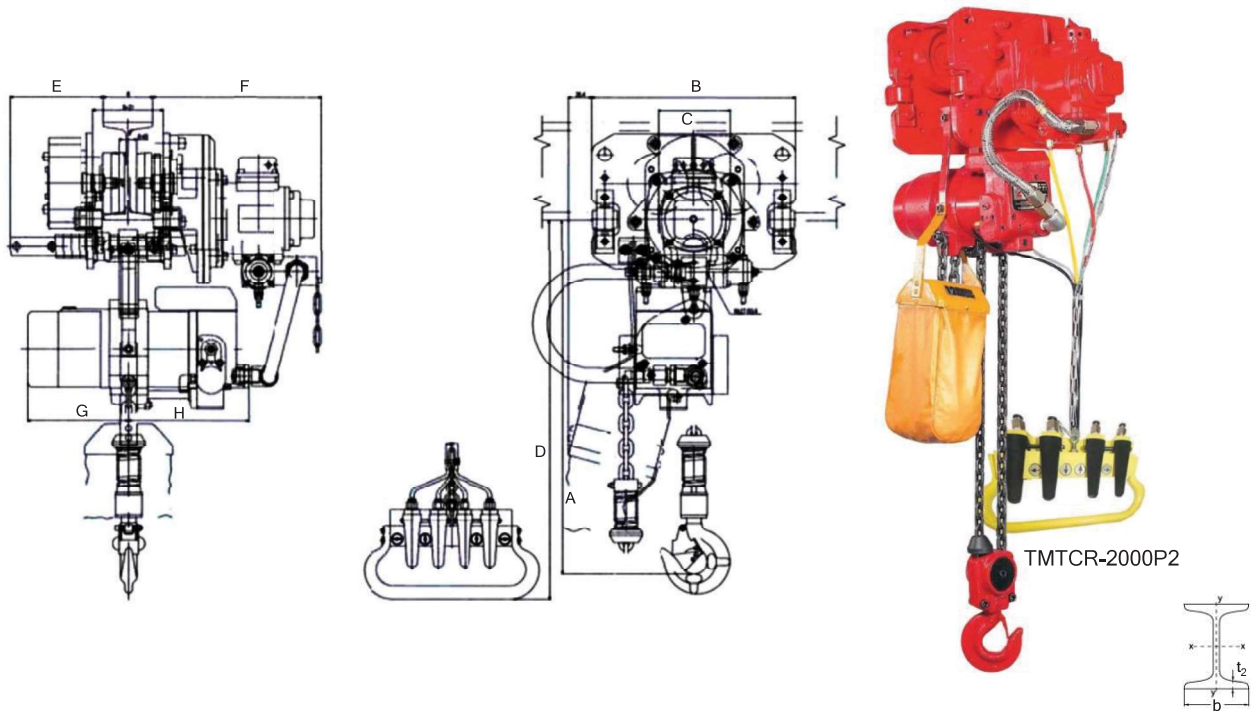


Item No.	Rated Load (ton)	Lift (m)	Lifting Speed (m/min)		Air Pressure (bar)	Air Consumption (m <sup>3</sup> /min)		Load Chain		Hose Dia. (mm)	Net Weight (kg)	Note
			Up	Down		Up	Down	Dia. (mm)	No. of falls			
TCS-250PE	0.25	3	34.0	63.0	6	1.7	2.0	6.3	1	12.7	19.0	
TCS-250C			18.0									
TCS-500PE	17.0		34.0	2							19.0	
TCS-500C	18.0											
TCS-1000P2E	0.99		8.5	17.0					25.0			
TCS-1000C2			24.0									

Item No.	Dimensions (mm)													Min. Headroom E (mm)
	B	C	D	F	G	H	I	J	K	L	M	N	O	
TCS-250PE	161	204	151	555	15.0	25	112	31	25	85	197	-	2,480	414
TCS-250C												1,700	-	
TCS-500PE												-	2,480	
TCS-500C												1,700	-	
TCS-1000P2E			-	2,500	456									
TCS-1000C2			1,720	-										

Operation Method : PE = Pendant control with Emergency stop , C = Pulling Cord control

## Motorized Trolley Type Regular speed Air Chain Hoist - Model TMTCR

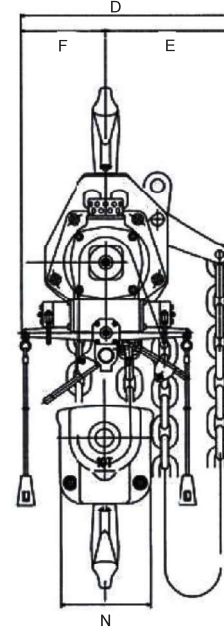
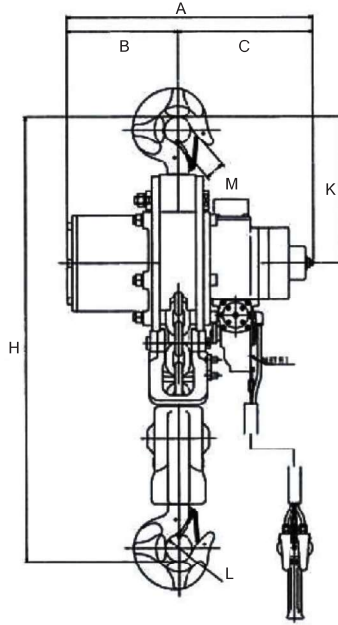


Item No.	Rated Load (ton)	Lifting Hoist	Trolley	Travelling Speed (No Load) (m/min)	Air Pressure (bar)	Air Consumption (m <sup>3</sup> /min)	Traversing Rail Width b (mm)	Min. Curve Radius (mm)	Note	
TMTCR-500P	0.5	TCR-500P	TMTNC-1	20	4 - 6	1.5	75 (100/125)	3,500 (800)		
TMTCR-1000P2	1.0	TCR-1000P2								
TMTCR-1000P		TCR-1000P								
TMTCR-2000P2	2.0	TCR-2000P2	TMTNC-3			2	2	100 (125/150)	1,300 (800)	
TMTCR-3000P	3.0	TCR-3000P								
TMTCR-6000P2	6.0	TCR-6000P2								TMTNC-6

Item No.	Dimensions (mm)							Min. Headroom A (mm)	Net Weight (kg)
	B	C	D	E	F	G	H		
TMTCR-500P	315	111.0	2,240	144.0	261.0	156.0	186.0	490	82.1
TMTCR-1000P2		111.3	2,250	143.7	252.5		164.5	497	85.7
TMTCR-1000P							186.0	446	86.9
TMTCR-2000P2	340	140.0	2,240	163.0	266.0	202.0	247.0	592	104.7
TMTCR-3000P							247.0	554	135.0
TMTCR-6000P2							156.0	660	177.7

Operation Method : P = Pendant control

## Large Capacity Air Chain Hoist - Model TNC

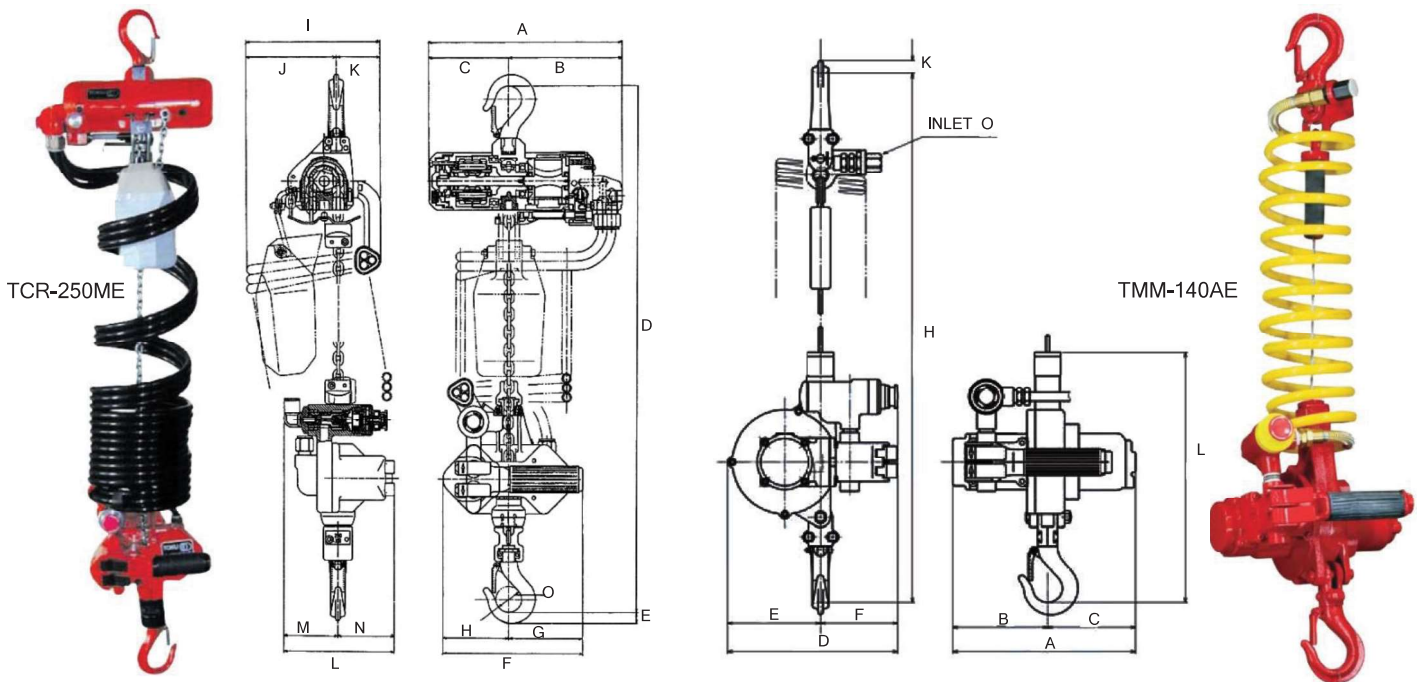


Item No.	Rated Load (ton)	Lift (m)	Lifting Speed (m/min)		Air Pressure (bar)	Air Consumption (m <sup>3</sup> /min)		Load Chain		Hose Dia. (mm)	Net Weight (kg)	Note
			Up	Down		Up	Down	Dia. (mm)	No. of falls			
TNC-10TWALPE	10	3	1.5	2.3	4 - 6	5	6	16	2	25.4	216	
TNC-10TWALC											215	
TNC-25TWALPE	25		0.5	0.7			5.8	22			491	
TNC-25TWALC											490	

Item No.	Dimensions (mm)								Min. Headroom H (mm)
	B	C	E	F	K	L	M	N	
TNC-10TWALPE	247	313	280	188	329	60	40	214	890
TNC-10TWALC									
TNC-25TWALPE	364	346	313	124	494	125	80	330	1,440
TNC-25TWALC									

Operation Method : PE = Pendant control with Emergency stop , C = Pulling Cord control

# Air Chain Hoist & Mini - Mighter



## Manipulator Type Regular speed Air Chain Hoist - Model TCR

Item No.	Rated Load (kg)	Lift (m)	Lifting Speed (m/min)		Air Pressure (bar)	Air Consumption (m <sup>3</sup> /min)		Load Chain		Hose Dia. (mm)	Net Weight (kg)	Note
			Up	Down		Up	Down	Dia. (mm)	No. of falls			
TCR-250ME	250	2	8.0	16.5	4 - 6	0.7	0.8	4.0	1	9.5	11.0	

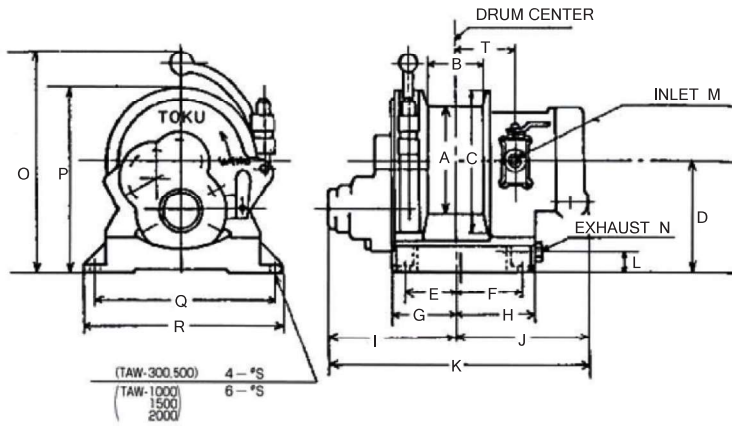
Item No.	Dimensions (mm)										Min. Headroom D (mm)
	B	C	E	G	H	J	K	M	N	O	
TCR-250ME	174	112	15	102	92	123	61	74	78	36	837

## Mini - Mighter - Model TMM

Item No.	Rated Load (kg)	Lift (m)	Lifting Speed (m/min)		Air Pressure (bar)	Air Consumption (m <sup>3</sup> /min)		Wire Rope		Hose Dia. (mm)	Net Weight (kg)	Note
			Up	Down		Up	Down	Dia. (mm)	No. of falls			
TMM-140AE	140	2	11.0	18.0	4 - 6	0.63	0.65	4.0	1	9.5	10.0	

Item No.	Dimensions (mm)						Min. Headroom H (mm)
	B	C	E	F	L	O	
TMM-140AE	116	108	114	94.2	308	PT3/8	573

## Air Winch - Model TAW



Item No.	Rated Load (ton)	Speed (m/min)	Air Pressure (bar)	Air Consumption (m <sup>3</sup> /min)	Hose Dia. (inch)	Wire Rope (Not Included) Dia. x Length	Note
TAW-300	0.3	27.0	4 - 6	3.4	3/4	6 mm x 48 m	
TAW-500	0.5	20.0				8 mm x 100 m	
TAW-1000	1.0	11.5		3.9		10 mm x 114 m	
TAW-1500	1.5	8.5		4.1		12 mm x 60 m	
TAW-2000	2.0	5.7		4.9		16 mm x 63 m	

Item No.	Dimensions (mm)									Mounting Bolts (mm)	Min. Headroom O (mm)
	A	B	C	D	E	F	G	H	I		
TAW-300	162	102	238	160	87	103	102	118	184.0	M10 x 4	377
TAW-500	180	150	308	225	200	160	220	180	255.0	M12 x 4	447
TAW-1000	200	243	340		254	208	270	226	315.5	M12 x 6	448
TAW-1500			460		286	249	207				
TAW-2000	300										

Item No.	Dimensions (mm)									Net Weight (Without Rope) (kg)	
	J	L	M	N	P	Q	R	S	T		
TAW-300	193.0	-	PT 3/4	-	279	260	282	11	98	39.0	
TAW-500	220.0	58		PT 1-1/4		380			14	134	70.5
TAW-1000	265.5					397	310	350		172	88.0
TAW-1500											89.0
TAW-2000	274.0	41					516	420		460	