

TOKU 

MATERIAL HANDLING

Ver.2.04



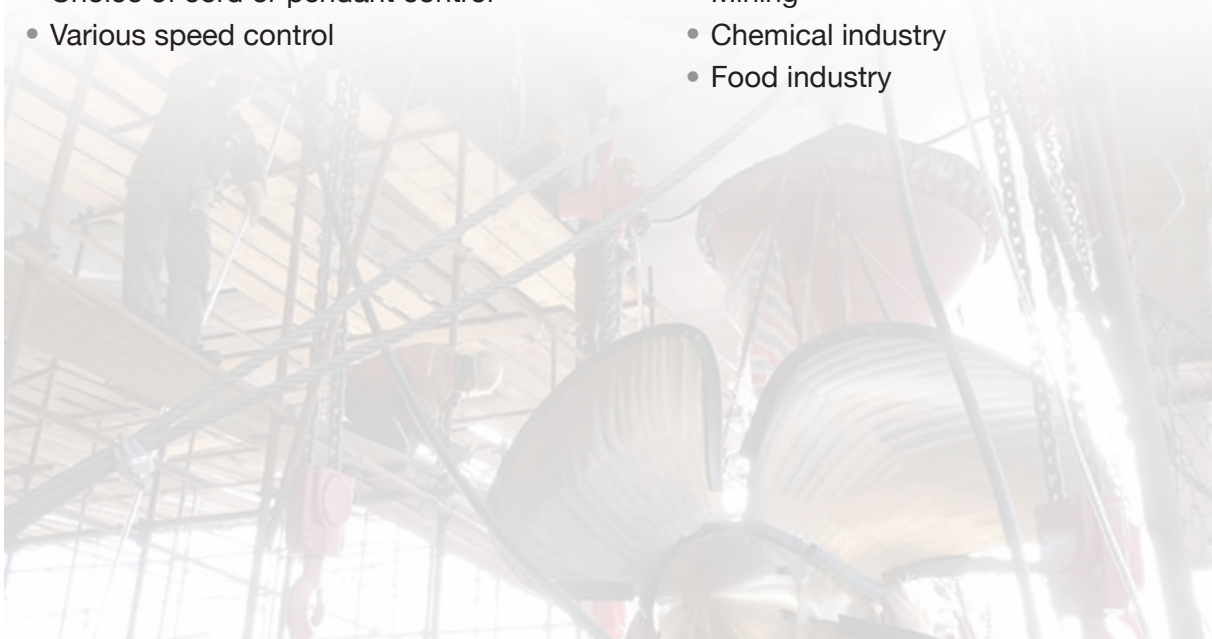
About TOKU Hoists

Main features of TOKU pneumatic hoists

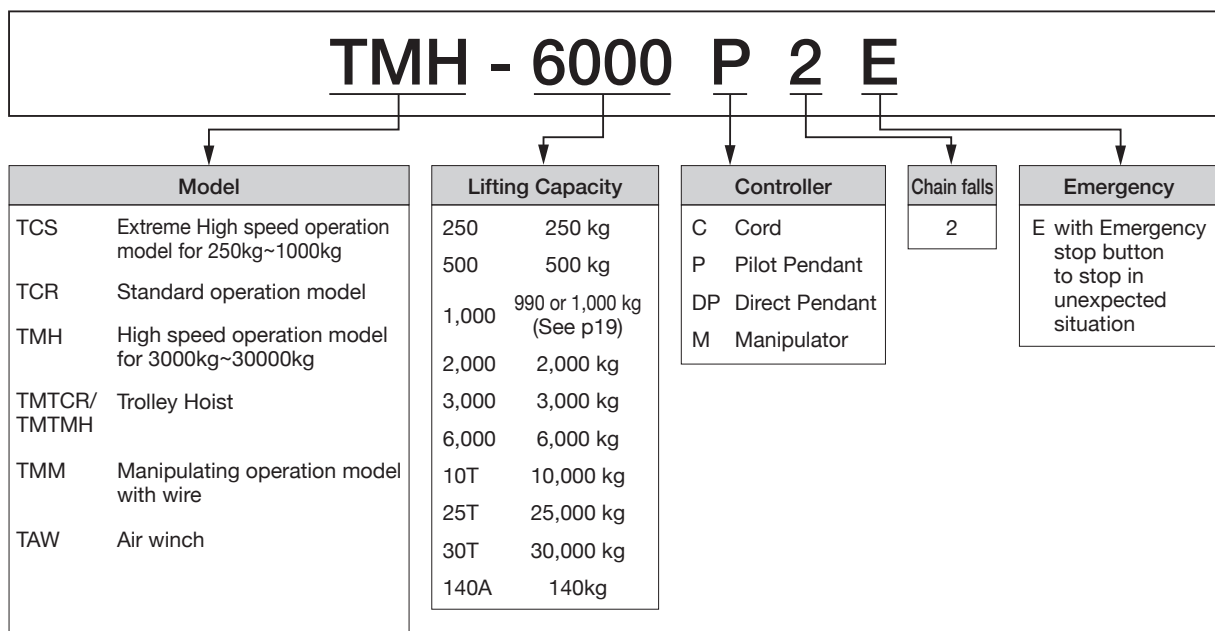
- High quality vane motor and planetary gear with long life grease
- Overload protection
- High strength cast steel housing for durability
- Failsafe automatic disc brake
- Emergency stop
- Mechanical end stop system
- Choice of cord or pendant control
- Various speed control

Applications in various industries

- Offshore oil industry
- Assembly line
- Power plant
- Refinery
- Mechanical engineering
- Shipyard
- Foundry
- Mining
- Chemical industry
- Food industry



Model Classifying



TCS Series

250-990 kg Capacity

About
TOKU Hoists

TCS Series

TCR Series

TMH Series

Manipulator
Series

TMTOR and TMTMH
Series

External
Dimension

Chain
Specification

Product
Specification Table

Red Hooster

Extreme High Speed Hoist



TCS-500PE

Main Features

- Extreme high speed
- Classification(ISO): M4
- Precise variable speed control
- Compact design
- Light weight aluminium housing
- Failsafe automatic internal disc brake
- Overtraveling limiter
- Alloy safety swivel hooks with safety catch
- Lubrication free hoist(Optional)



Cord



Pendant with
Emergency Stop Button



Chain Basket

Specifications

Model	Lifting Capacity	No. of Chain Falls	Lifting		Lowering		Weight W/O Chain	Min Hook Distance	Chain Dimension	Hose Size
			Speed	Air Cons	Speed	Air Cons				
TCS-250C	250 kg	1	34.0 m/min	1.7 m ³ /min	63.0 m/min	2.0 m ³ /min	17 kg	414 mm	6.3 X 19 mm	12.7 mm
TCS-250PE	250 kg	1	34.0 m/min	1.7 m ³ /min	63.0 m/min	2.0 m ³ /min	18 kg	414 mm	6.3 X 19 mm	12.7 mm
TCS-500C	490 kg	1	17.0 m/min	1.7 m ³ /min	34.0 m/min	2.0 m ³ /min	17 kg	414 mm	6.3 X 19 mm	12.7 mm
TCS-500PE	490 kg	1	17.0 m/min	1.7 m ³ /min	34.0 m/min	2.0 m ³ /min	18 kg	414 mm	6.3 X 19 mm	12.7 mm
TCS-1000C2	980 kg	2	8.5 m/min	1.7 m ³ /min	17.0 m/min	2.0 m ³ /min	20 kg	456 mm	6.3 X 19 mm	12.7 mm
TCS-1000P2E	980 kg	2	8.5 m/min	1.7 m ³ /min	17.0 m/min	2.0 m ³ /min	21 kg	456 mm	6.3 X 19 mm	12.7 mm

Operating air pressure is 0.6 MPa.

TCR Series

250 kg Capacity

Light and Compact Hoist



TCR-250DPE

Main Features

- Precise variable speed control
- Classification(ISO): M4
- Compact design
- Lightweight aluminium housing
- Failsafe automatic internal disc brake
- Overtraveling limiter
- Alloy safety swivel hooks with safety catch



Cord



Pendant with
Emergency Stop Button



Chain Basket

Specifications

Model	Lifting Capacity	No. of Chain Falls	Lifting		Lowering		Weight W/O Chain	Min Hook Distance	Chain Dimension	Hose Size
			Speed	Air Cons	Speed	Air Cons				
TCR-250C	250 kg	1	9.0 m/min	0.8 m ³ /min	17.4 m/min	0.9 m ³ /min	5.8 kg	305 mm	4 X 12 mm	9.5 mm
TCR-250DPE	250 kg	1	8.1 m/min	0.7 m ³ /min	16.5 m/min	0.8 m ³ /min	8.4 kg	305 mm	4 X 12 mm	9.5 mm

Operating air pressure is from 0.4 to 0.6 MPa.

TCR Series

500-2000 kg Capacity

All Rounder Type Hoist



TCR-1000C

Main Features

- Built-in load limiter without loss of headroom
- Precise variable speed control
- Compact design
- Failsafe automatic internal disc brake
- Durable cast iron housing
- Alloy safety swivel hooks with safety catch



Cord



Pendant with Emergency Stop Button



Chain Basket

Specifications

Model	Lifting Capacity	No. of Chain Falls	Lifting		Lowering		Weight W/O Chain	Min Hook Distance	Chain Dimension	Hose Size
			Speed	Air Cons	Speed	Air Cons				
TCR-500C	500 kg	1	10.0 m/min	1.4 m ³ /min	16.0 m/min	1.6 m ³ /min	27 kg	462 mm	6.3 X 19 mm	12.7 mm
TCR-500PE	500 kg	1	10.0 m/min	1.4 m ³ /min	16.0 m/min	1.6 m ³ /min	29 kg	462 mm	6.3 X 19 mm	12.7 mm
TCR-1000C2	1000 kg	2	5.0 m/min	1.4 m ³ /min	8.1 m/min	1.6 m ³ /min	28 kg	519 mm	6.3 X 19 mm	12.7 mm
TCR-1000P2E	1000 kg	2	5.0 m/min	1.4 m ³ /min	8.1 m/min	1.6 m ³ /min	30 kg	519 mm	6.3 X 19 mm	12.7 mm
TCR-1000C	1000 kg	1	5.8 m/min	1.4 m ³ /min	9.3 m/min	1.7 m ³ /min	29 kg	466 mm	7.1 X 21 mm	12.7 mm
TCR-1000PE	1000 kg	1	5.8 m/min	1.4 m ³ /min	9.3 m/min	1.7 m ³ /min	31 kg	466 mm	7.1 X 21 mm	12.7 mm
TCR-2000C2	2000 kg	2	2.9 m/min	1.4 m ³ /min	4.7 m/min	1.7 m ³ /min	31 kg	597 mm	7.1 X 21 mm	12.7 mm
TCR-2000P2E	2000 kg	2	2.9 m/min	1.4 m ³ /min	4.7 m/min	1.7 m ³ /min	33 kg	597 mm	7.1 X 21 mm	12.7 mm

Operating air pressure is from 0.4 to 0.6 MPa.

TMH Series

3000-30000 kg
Capacity

New and Multi-Utility Hoist



TMH-3000PE

Main Features

- The fastest operation speed in each class(3t, 6t, 10t, 25t, 30t)
- Low head clearance
- Classification(ISO): M4 *From 3t to 25t
- Built-in load limiter without loss of headroom
- Precise variable speed control
- Usage with flexible operation air pressure: 0.4MPa~0.6MPa (except TMH-30T)
- Failsafe automatic internal disc brake
- Durable cast iron housing
- Alloy safety swivel hooks with safety catch
- Lubrication free hoist(Optional)



Cord



Pendant with Emergency Stop Button



Chain Basket

Specifications

Model	Lifting Capacity	No. of Chain Falls	Lifting		Lowering		Weight W/O Chain	Min Hook Distance	Chain Dimension	Hose Size
			Speed	Air Cons	Speed	Air Cons				
TMH-3000C	3000 kg	1	5.4 m/min	3.5 m ³ /min	10.5 m/min	4.3 m ³ /min	86 kg	537 mm	13 X 36 mm	19 mm
TMH-3000PE	3000 kg	1	5.4 m/min	3.5 m ³ /min	10.5 m/min	4.3 m ³ /min	87 kg	537 mm	13 X 36 mm	19 mm
TMH-6000C2	6000 kg	2	2.7 m/min	3.5 m ³ /min	5.2 m/min	4.3 m ³ /min	104 kg	742 mm	13 X 36 mm	19 mm
TMH-6000P2E	6000 kg	2	2.7 m/min	3.5 m ³ /min	5.2 m/min	4.3 m ³ /min	105 kg	742 mm	13 X 36 mm	19 mm
TMH-10TC2	10000 kg	2	1.6 m/min	3.3 m ³ /min	3.2 m/min	3.9 m ³ /min	160 kg	890 mm	16 X 45 mm	19 mm
TMH-10TP2E	10000 kg	2	1.6 m/min	3.3 m ³ /min	3.2 m/min	3.9 m ³ /min	160 kg	890 mm	16 X 45 mm	19 mm
TMH-25TC2	25000 kg	2	1.4 m/min	6.5 m ³ /min	3.0 m/min	10.8 m ³ /min	471 kg	1290 mm	23.5 X 66 mm	38.1 mm
TMH-25TP2E	25000 kg	2	1.4 m/min	6.5 m ³ /min	3.0 m/min	10.8 m ³ /min	473 kg	1290 mm	23.5 X 66 mm	38.1 mm
TMH-30TC2	30000 kg	2	1.0 m/min	6.5 m ³ /min	2.7 m/min	10.0 m ³ /min	471 kg	1290 mm	23.5 X 66 mm	38.1 mm
TMH-30TP2E	30000 kg	2	1.0 m/min	6.5 m ³ /min	2.7 m/min	10.0 m ³ /min	473 kg	1290 mm	23.5 X 66 mm	38.1 mm

Operating air pressure is from 0.4 to 0.6 MPa for TMH-3000, 6000, 25T, and 0.5 to 0.6 MPa for TMH-30T

Manipulator Series 140kg and 250kg Capacity

About TOKU Hoists

TCS Series

TCR Series

TMH Series

Manipulator Series

TMTOR and TMTMH Series

External Dimension

Chain Specification

Product Specification Table

Red Hooster Hoist

Flexible Material Handling



TMM-140AE



TCR-250ME

Main Features

TMM-140AE / TCR-250ME

- Handle mounted pendant for one handed operation
- Precise variable speed control
- Left-handed operation by changing handle direction
- Failsafe automatic internal disc brake
- Durable cast iron housing (TMM-140AE) / Light weight aluminium housing (TCR-250ME)
- Alloy safety swivel hooks with safety catch

Specifications

Model	Lifting Capacity	No. of Chain Falls	Lifting		Lowering		Weight W/O Chain	Wire Diameter/ Chain Dimension	Hose Size
			Speed	Air Cons	Speed	Air Cons			
TMM-140AE	140 kg	1	11.0 m/min	0.63 m ³ /min	18.0 m/min	0.65 m ³ /min	10 kg	4 mm	9.5 mm
TCR-250ME	250 kg	1	8.0 m/min	0.7 m ³ /min	16.5 m/min	0.8 m ³ /min	10 kg	4 X 12 mm	9.5 mm

TMM-140AE is wire lifting machine. The number on specifications is wire diameter. Operating air pressure is from 0.4 to 0.6 MPa.

TMTCR and TMTMH Series 500-6000 kg Capacity

Trolley Hoist



TMTCR-2000P2E

Main Features

- Beam-size adjustable trolley
- 4 Button Pendant with emergency stop for hoist and trolley control
- 2 flangeless wheel and 2 drive wheels for low friction
- Automatic brake function
- Durable cast iron housing



4 Button Pendant with Emergency Stop Button



Chain Basket

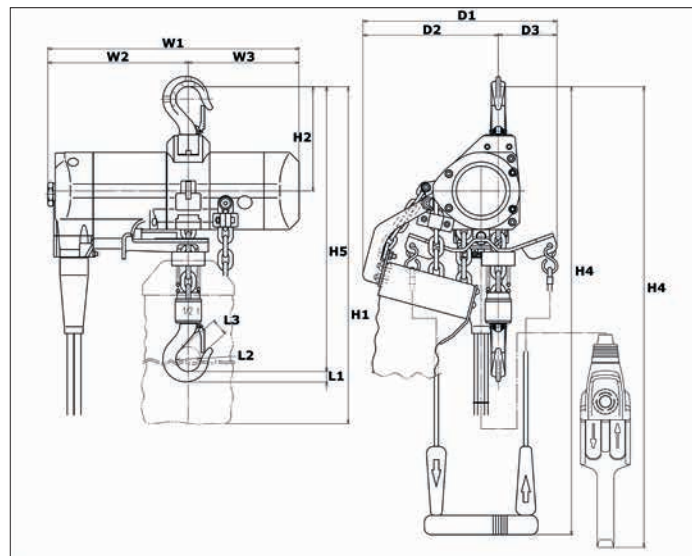
Specifications

Model	Lifting Capacity	Trolley Model	Hoist Model	No. of Chain Falls	Lifting		Lowering		Weight W/O Chain	Chain Dimension	Traveling Speed	Apply Beam Size	Min. Radius of Beam	Hose Size
					Speed	Air Cons	Speed	Air Cons						
TMTCR-500PE	500 kg	TMTNC-1	TCR-500PE	1	10.5 m/min	1.5 m ³ /min	17.9 m/min	1.6 m ³ /min	82 kg	6.3 X 19 mm	20 m/min	75 mm	3500 mm	19 mm
												100 mm	800 mm	
												125 mm	800 mm	
TMTCR-1000P2E	1000 kg	TMTNC-1	TCR-1000P2E	2	5.3 m/min	1.5 m ³ /min	9.0 m/min	1.6 m ³ /min	87 kg	6.3 X 19 mm	20 m/min	75 mm	3500 mm	19 mm
												100 mm	800 mm	
												125 mm	800 mm	
TMTCR-1000PE	1000 kg	TMTNC-1	TCR-1000PE	1	6.0 m/min	1.5 m ³ /min	10.3 m/min	1.7 m ³ /min	86 kg	7.1 X 21 mm	20 m/min	75 mm	3500 mm	19 mm
												100 mm	800 mm	
												125 mm	800 mm	
TMTCR-2000P2E	2000 kg	TMTNC-3	TCR-2000P2E	2	3.0 m/min	1.5 m ³ /min	5.2 m/min	1.8 m ³ /min	105 kg	7.1 X 21 mm	20 m/min	100 mm	3500 mm	19 mm
												125 mm	800 mm	
												150 mm	800 mm	
TMTMH-3000PE	3000 kg	TMTNC-3	TMH-3000PE	1	5.4 m/min	3.5 m ³ /min	10.5 m/min	4.3 m ³ /min	167 kg	13 X 36 mm	20 m/min	100 mm	1300 mm	19 mm
												125 mm	800 mm	
												150 mm	800 mm	
TMTMH-6000P2E	6000 kg	TMTNC-6	TMH-6000P2E	2	2.7 m/min	3.5 m ³ /min	5.2 m/min	4.3 m ³ /min	223 kg	13 X 36 mm	20 m/min	100 mm	2000 mm	19 mm
												125 mm	2000 mm	
												150 mm	2000 mm	

Operating air pressure is from 0.4 to 0.6 MPa.

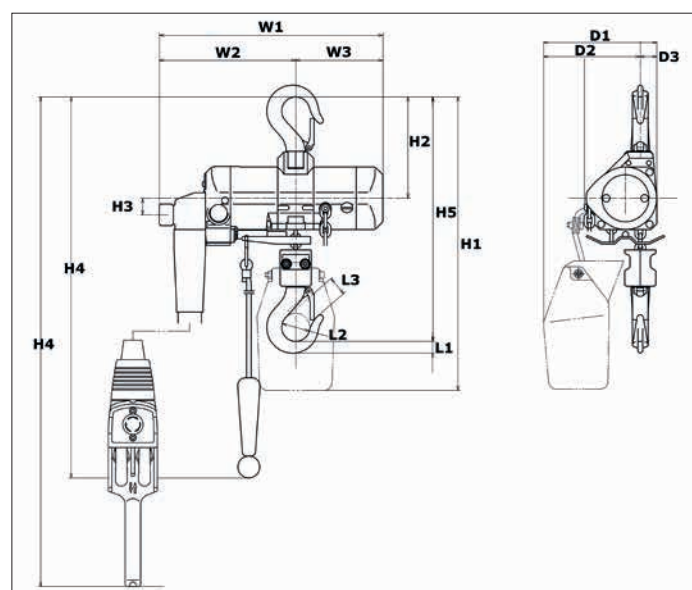
External Dimension

TCS Series 250-1000 kg Capacity



Model	W1	W2	W3	H1	H2	H4	H5	D1	D2	D3	L1	L2	L3
TCS-250C	365	204	161	555	151	1700	Min 414	282	197	85	15	36	25
TCS-250PE	365	204	161	555	151	2480	Min 414	282	197	85	15	36	25
TCS-500C	365	204	161	555	151	1700	Min 414	282	197	85	15	36	25
TCS-500PE	365	204	161	555	151	2480	Min 414	282	197	85	15	36	25
TCS-1000C2	365	204	161	577	173	1720	Min 456	291	221	70	29.5	40	29
TCS-1000P2E	365	204	161	577	173	2502	Min 456	291	221	70	29.5	40	29

TCR Series 250 kg Capacity



Model	W1	W2	W3	H1	H2	H3	H4	H5	D1	D2	D3	L1	L2	L3
TCR-250C	247	135	112	375	130	-	1660	Min 305	145	124	21	15	36	25
TCR-250DPE	286	174	112	375	130	21	2414	Min 305	145	124	21	15	36	25

About
TOKU Hoists

TCS Series

TCR Series

TMH Series

Manipulator
Series

TMTCR and TMTMH
Series

External
Dimension

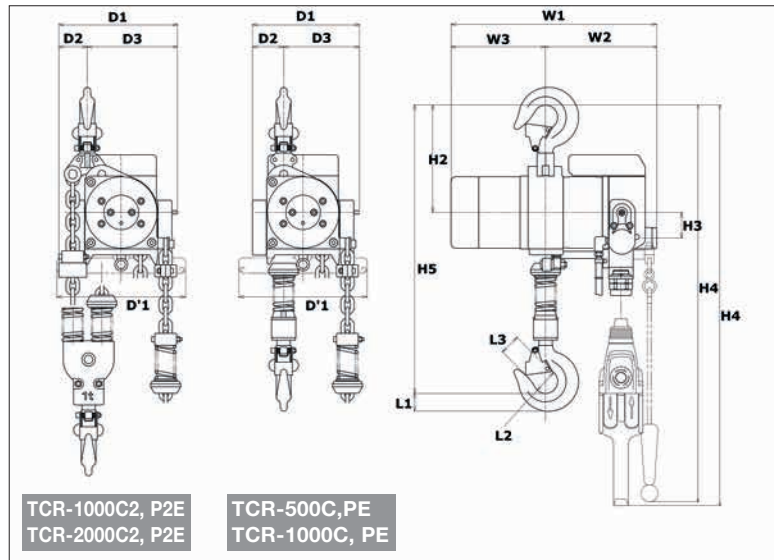
Chain
Specification

Product
Specification Table

Red Hooster
Hoist

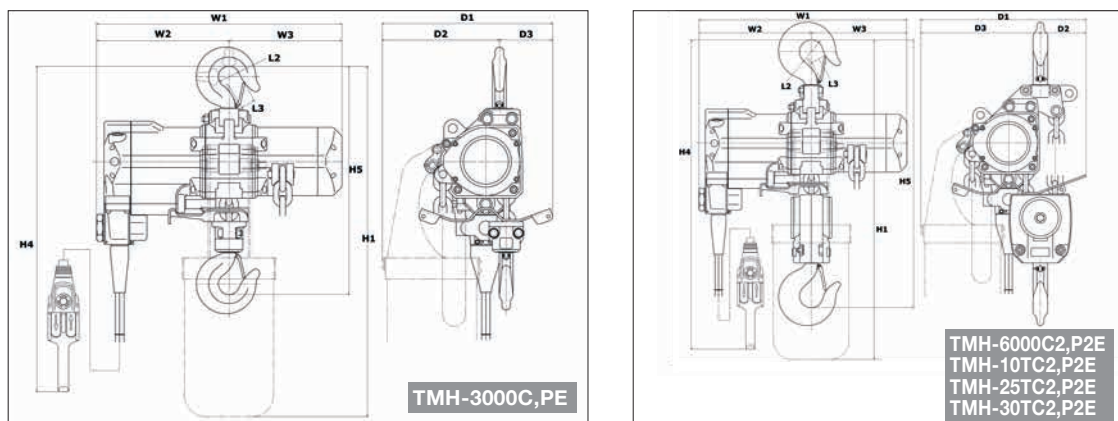
External Dimension

TCR Series 500-2000 kg Capacity



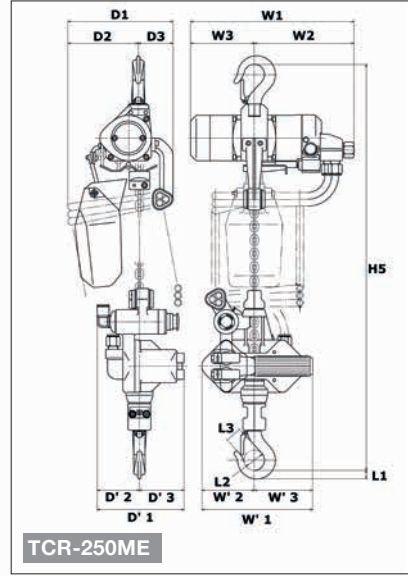
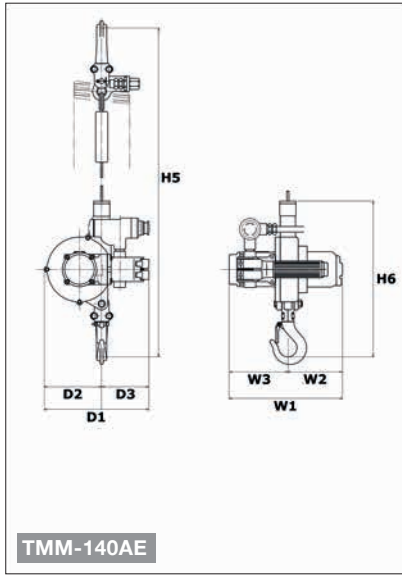
Model	W1	W2	W3	H2	H3	H4	H5	D1	D'1	D2	D3	L1	L2	L3
TCR-500C	342	186	156	177	42	1860	Min 462	149	212	52	124	29	40	29
TCR-500PE	342	186	156	177	42	2400	Min 462	149	-	52	124	29	40	29
TCR-1000C2	342	186	156	177	42	1860	Min 519	180	212	47	148	29	40	29
TCR-1000P2E	342	186	156	177	42	2400	Min 519	180	-	47	148	29	40	29
TCR-1000C	342	186	156	177	42	1860	Min 466	157	212	40	124	29	40	29
TCR-1000PE	366	210	156	177	47	2400	Min 466	157	-	40	124	29	40	29
TCR-2000C2	342	186	156	211	42	1860	Min 597	194	212	50	152	37	45	29
TCR-2000P2E	366	210	156	211	47	2400	Min 597	194	-	50	152	37	45	29

TMH Series 3000-30000 kg Capacity



Model	W1	W2	W3	H1	H4	H5	D1	D2	D3	L2	L3
TMH-3000C	576	311	265	823	1800	Min 537	400	275	125	50	34
TMH-3000PE	576	311	265	823	2690	Min 537	400	275	125	50	34
TMH-6000C2	576	311	265	885	1862	Min 742	458	331	127	65	42
TMH-6000P2E	576	311	265	885	2752	Min 742	458	331	127	65	42
TMH-10TC2	581	267	300	1500	-	Min 890	718	188	530	60	40
TMH-10TP2E	581	267	300	2772	-	Min 890	718	188	530	60	40
TMH-25TC2	708	356	352	1473	2024	Min 1290	1028	805	223	100	71
TMH-25TP2E	708	356	352	1473	2980	Min 1290	1028	805	223	100	71
TMH-30TC2	708	356	352	1473	2024	Min 1290	1028	805	223	100	71
TMH-30TP2E	708	356	352	1473	2980	Min 1290	1028	805	223	100	71

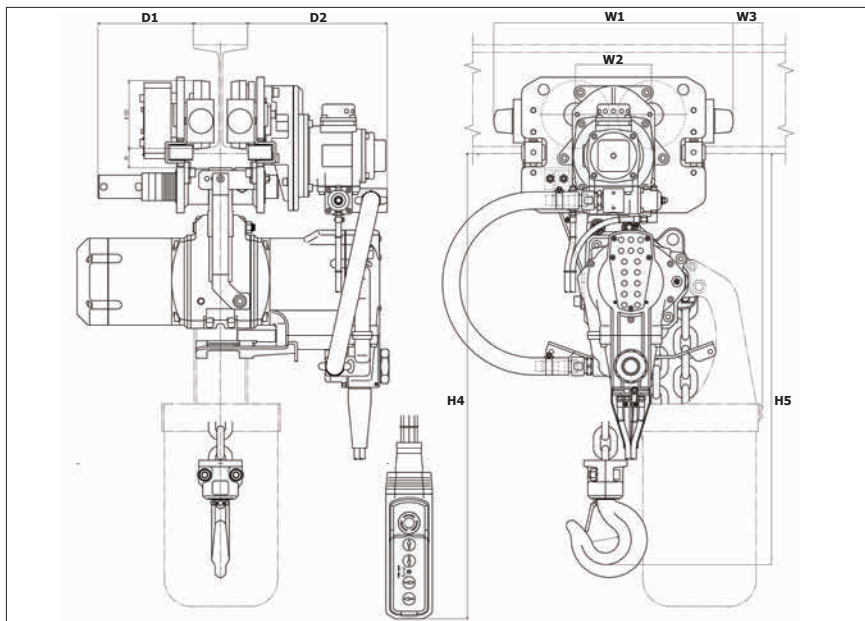
Manipulator Series 140 kg and 250 kg



Model	W1	W2	W3	W'1	W'2	W'3	H5	H6	D1	D2	D3	D'1	D'2	D'3	L1	L2	L3
TMM-140AE	224	108	116	-	-	-	Min 573	308	208	114	94	-	-	-	15	36	25
TCR-250ME	286	174.5	111.5	194	92	102	Min 837	-	184	123	61	152	74	78	15	36	25

External Dimension

TMTCR and TMTMH Series (Trolley only)



Model	W1	W2	W3	H4	H5	D1	D2	Beam Size
TMTCR-500PE	397	111.3	41	2380	Min 490	Max 171	256	See page11
TMTCR-1000P2E	397	111.3	41	2380	Min 547	Max 171	256	See page11
TMTCR-1000PE	397	111.3	41	2380	Min 496	Max 171	256	See page11
TMTCR-2000P2E	442	140	51	2400	Min 609	Max 176	260	See page11
TMTMH-3000PE	442	140	55	2590	Min 549	Max 176	260	See page11
TMTMH-6000P2E	502	156	81	2600	Min 706	Max 209	271	See page11

Chain Specification

Model	No.of Chain Falls	Chain Length (3m lift)	3m Chain Weight (3m lift)	Chain Weight (per/m)	Chain Basket (Plastic)	Chain Basket (Fabric)	Chain Basket (Steel)
TCS-250C/PE	1	3.5 m	3.1 kg	0.88 kg	-	3~35 m	-
TCS-500C/PE	1	3.5 m	3.1 kg	0.88 kg	-	3~35 m	-
TCS-1000C2/P2E	2	7.0 m	6.2 kg	0.88 kg	-	3~17 m	-
TCR-250C/DPE	1	3.3 m	1.2 kg	0.35 kg	3~4 m	5~15 m	-
TCR-250ME	1	3.8 m	1.0 kg	0.35 kg	2 m	-	-
TCR-500C/PE	1	3.5 m	3.1 kg	0.88 kg	-	3~15 m	16~40 m
TCR-1000C2/P2E	2	7.0 m	6.2 kg	0.88 kg	-	3~7 m	8~20 m
TCR-1000C/PE	1	3.5 m	3.9 kg	1.1 kg	-	3~12 m	15~40 m
TCR-2000C2/P2E	2	7.0 m	7.7 kg	1.1 kg	-	3~6 m	7~20 m
TMH-3000C/PE	1	3.8 m	14.4 kg	3.8 kg	-	-	3~36 m
TMH-6000C2/PE2	2	7.3 m	27.0 kg	3.8 kg	-	-	3~18 m
TMH-10TC2/P2E	2	8.0 m	45.6 kg	5.7 kg	-	-	-
TMH-25TC2/P2E	2	9.0 m	109.8 kg	12.2 kg	-	-	-
TMH-30TC2/P2E	2	9.0 m	109.8 kg	12.2 kg	-	-	-

Product Specification Table

Model	Lifting Capacity	No. of Chain Falls	Lifting		Operation Air Pressure	Lowering		Weight W/O Chain	Min Hook Distance	Chain(Wire) Dimension	Hose Size	
			Speed	Air Cons		Speed	Air Cons					
TCS	TCS-250C	250 kg	1	34.0 m/min	1.7 m ³ /min	0.6 MPa	63.0 m/min	2.0 m ³ /min	17 kg	414 mm	6.3 X 19 mm	12.7 mm
	TCS-250PE	250 kg	1	34.0 m/min	1.7 m ³ /min	0.6 MPa	63.0 m/min	2.0 m ³ /min	18 kg	414 mm	6.3 X 19 mm	12.7 mm
	TCS-500C	490 kg	1	17.0 m/min	1.7 m ³ /min	0.6 MPa	34.0 m/min	2.0 m ³ /min	17 kg	414 mm	6.3 X 19 mm	12.7 mm
	TCS-500PE	490 kg	1	17.0 m/min	1.7 m ³ /min	0.6 MPa	34.0 m/min	2.0 m ³ /min	18 kg	414 mm	6.3 X 19 mm	12.7 mm
	TCS-1000C2	980 kg	2	8.5 m/min	1.7 m ³ /min	0.6 MPa	17.0 m/min	2.0 m ³ /min	20 kg	456 mm	6.3 X 19 mm	12.7 mm
	TCS-1000P2E	980 kg	2	8.5 m/min	1.7 m ³ /min	0.6 MPa	17.0 m/min	2.0 m ³ /min	21 kg	456 mm	6.3 X 19 mm	12.7 mm
TCR	TCR-250C	250 kg	1	9.0 m/min	0.8 m ³ /min	0.4-0.6 MPa	17.4 m/min	0.9 m ³ /min	5.8 kg	305 mm	4 X 12 mm	9.5 mm
	TCR-250DPE	250 kg	1	8.1 m/min	0.7 m ³ /min	0.4-0.6 MPa	16.5 m/min	0.8 m ³ /min	8.4 kg	305 mm	4 X 12 mm	9.5 mm
	TCR-500C	500 kg	1	10.0 m/min	1.4 m ³ /min	0.4-0.6 MPa	16.0 m/min	1.6 m ³ /min	27 kg	462 mm	6.3 X 19 mm	12.7 mm
	TCR-500PE	500 kg	1	10.0 m/min	1.4 m ³ /min	0.4-0.6 MPa	16.0 m/min	1.6 m ³ /min	29 kg	462 mm	6.3 X 19 mm	12.7 mm
	TCR-1000C2	1000 kg	2	5.0 m/min	1.4 m ³ /min	0.4-0.6 MPa	8.1 m/min	1.6 m ³ /min	28 kg	519 mm	6.3 X 19 mm	12.7 mm
	TCR-1000P2E	1000 kg	2	5.0 m/min	1.4 m ³ /min	0.4-0.6 MPa	8.1 m/min	1.6 m ³ /min	30 kg	519 mm	6.3 X 19 mm	12.7 mm
	TCR-1000C	1000 kg	1	5.8 m/min	1.4 m ³ /min	0.4-0.6 MPa	9.3 m/min	1.7 m ³ /min	29 kg	466 mm	7.1 X 21 mm	12.7 mm
	TCR-1000PE	1000 kg	1	5.8 m/min	1.4 m ³ /min	0.4-0.6 MPa	9.3 m/min	1.7 m ³ /min	31 kg	466 mm	7.1 X 21 mm	12.7 mm
	TCR-2000C2	2000 kg	2	2.9 m/min	1.4 m ³ /min	0.4-0.6 MPa	4.7 m/min	1.7 m ³ /min	31 kg	597 mm	7.1 X 21 mm	12.7 mm
TCR-2000P2E	2000 kg	2	2.9 m/min	1.4 m ³ /min	0.4-0.6 MPa	4.7 m/min	1.7 m ³ /min	33 kg	597 mm	7.1 X 21 mm	12.7 mm	
TMH	TMH-3000C	3000 kg	1	5.4 m/min	3.5 m ³ /min	0.4-0.6 MPa	10.5 m/min	4.3 m ³ /min	86 kg	537 mm	13 X 36 mm	19 mm
	TMH-3000PE	3000 kg	1	5.4 m/min	3.5 m ³ /min	0.4-0.6 MPa	10.5 m/min	4.3 m ³ /min	87 kg	537 mm	13 X 36 mm	19 mm
	TMH-6000C2	6000 kg	2	2.7 m/min	3.5 m ³ /min	0.4-0.6 MPa	5.2 m/min	4.3 m ³ /min	104 kg	742 mm	13 X 36 mm	19 mm
	TMH-6000P2E	6000 kg	2	2.7 m/min	3.5 m ³ /min	0.4-0.6 MPa	5.2 m/min	4.3 m ³ /min	105 kg	742 mm	13 X 36 mm	19 mm
	TMH-10TC2	10000 kg	2	1.6 m/min	3.3 m ³ /min	0.4-0.6 MPa	3.2 m/min	3.9 m ³ /min	160 kg	890 mm	16 X 45 mm	19 mm
	TMH-10TP2E	10000 kg	2	1.6 m/min	3.3 m ³ /min	0.4-0.6 MPa	3.2 m/min	3.9 m ³ /min	160 kg	890 mm	16 X 45 mm	19 mm
	TMH-25TC2	25000 kg	2	1.4 m/min	6.5 m ³ /min	0.4-0.6 MPa	3.0 m/min	10.8 m ³ /min	471 kg	1290 mm	23.5 X 66 mm	38.1 mm
	TMH-25TP2E	25000 kg	2	1.4 m/min	6.5 m ³ /min	0.4-0.6 MPa	3.0 m/min	10.8 m ³ /min	473 kg	1290 mm	23.5 X 66 mm	38.1 mm
	TMH-30TC2	30000 kg	2	1.0 m/min	6.5 m ³ /min	0.5-0.6 MPa	2.7 m/min	10.0 m ³ /min	471 kg	1290 mm	23.5 X 66 mm	38.1 mm
TMH-30TP2E	30000 kg	2	1.0 m/min	6.5 m ³ /min	0.5-0.6 MPa	2.7 m/min	10.0 m ³ /min	473 kg	1290 mm	23.5 X 66 mm	38.1 mm	
TMTCR / TMTMH	TMTCR-500PE	500 kg	1	10.5 m/min	1.5 m ³ /min	0.4-0.6 MPa	17.9 m/min	1.6 m ³ /min	82 kg	490 mm	6.3 X 19 mm	19 mm
	TMTCR-1000P2E	1000 kg	2	5.3 m/min	1.5 m ³ /min	0.4-0.6 MPa	9.0 m/min	1.6 m ³ /min	87 kg	547 mm	6.3 X 19 mm	19 mm
	TMTCR-1000PE	1000 kg	1	6.0 m/min	1.5 m ³ /min	0.4-0.6 MPa	10.3 m/min	1.7 m ³ /min	86 kg	496 mm	7.1 X 21 mm	19 mm
	TMTCR-2000P2E	2000 kg	2	3.0 m/min	1.5 m ³ /min	0.4-0.6 MPa	5.2 m/min	1.8 m ³ /min	105 kg	609 mm	7.1 X 21 mm	19 mm
	TMTMH-3000PE	3000 kg	1	5.4 m/min	3.5 m ³ /min	0.4-0.6 MPa	10.5 m/min	4.3 m ³ /min	167 kg	549 mm	13 X 36 mm	19 mm
	TMTMH-6000P2E	6000 kg	2	2.7 m/min	3.5 m ³ /min	0.4-0.6 MPa	5.2 m/min	4.3 m ³ /min	223 kg	706 mm	13 X 36 mm	19 mm
TCR / TMM	TMM-140AE	140 kg	1	11.0 m/min	0.63 m ³ /min	0.4-0.6 MPa	18.0 m/min	0.65 m ³ /min	10 kg	573 mm	4 mm	9.5 mm
	TCR-250ME	250 kg	1	8.0 m/min	0.7 m ³ /min	0.4-0.6 MPa	16.5 m/min	0.8 m ³ /min	10 kg	837 mm	4 X 12 mm	9.5 mm

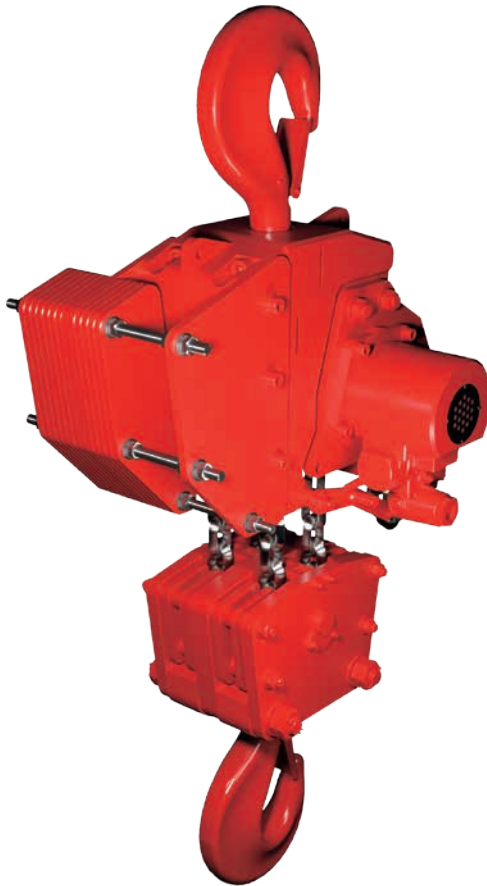
Model	Lifting Capacity	Lifting		Operation Air Pressure	Wire Rope Dimension	Weight W/O Rope	Hose Size	Mounting Bolts	
		Speed	Air Cons						
TAW	TAW-300B	300 kg	27.0 m/min	3.4 m ³ /min	0.4-0.6 MPa	6 m X 37 m	42 kg	19 mm	M10 X 4
	TAW-500	500 kg	20.0 m/min	3.4 m ³ /min	0.4-0.6 MPa	8 m X 61 m	75 kg	19 mm	M12 X 4
	TAW-1000	1000 kg	11.5 m/min	3.9 m ³ /min	0.4-0.6 MPa	10 m X 91 m	90 kg	19 mm	M12 X 6
	TAW-1500	1500 kg	8.5 m/min	4.1 m ³ /min	0.4-0.6 MPa	12 m X 60 m	90 kg	19 mm	M12 X 6
	TAW-2000	2000 kg	5.7 m/min	4.9 m ³ /min	0.4-0.6 MPa	16 m X 45 m	130 kg	19 mm	M12 X 6

Large capacity of Air Hoist TMH Series




**RED ROOSTER
LIFTING**

Air Hoist



TMH-50T/4

Standard Features

- ATEX zone 2 Specification
- Robust 3 step planetary gear box
- Failsafe automatic internal disc brake
- Mechanical upper & lower limit switches
- Cast steel housing
- Alloy safety swivel hooks with safety catch
- Automatic load limiter
-  ATEX ZONE 2 AS STANDARD

Available Options

- Marine specification
- Special paint systems
- Corrosion protection
- ATEX zone 1 specification
- Chain collectors (galvanised or stainless steel)
- Air service units
- Festoon systems
- Radio control
- Corrosion protection

Specifications

Model	Lifting Capacity	No. of Chain Falls	Lifting		Lowering	Air Cons		Weight (3M HOL)
			Speed(W/L)	Speed(WO/L)	Speed(W/L)	Lifting	Lowering	
TMH-9000/3	9000 kg	3	1.8 m/min	3.6 m/min	3.4 m/min	3.36 m ³ /min	4.08 m ³ /min	170 kg
TMH-12000/4	12000 kg	4	1.35 m/min	2.7 m/min	2.55 m/min	3.36 m ³ /min	4.08 m ³ /min	190 kg
TMH-15000/5	15000 kg	5	1.08 m/min	2.16 m/min	2.04 m/min	3.36 m ³ /min	4.08 m ³ /min	280 kg
TMH-37.5T	37500 kg	3	0.9 m/min	1.8 m/min	2.0 m/min	6.48 m ³ /min	10.8 m ³ /min	1300 kg
TMH-45T	45000 kg	3	0.65 m/min	1.8 m/min	1.8 m/min	6.48 m ³ /min	9.96 m ³ /min	1300 kg
TMH-50T/4	50000 kg	4	0.7 m/min	1.3 m/min	1.5 m/min	6.48 m ³ /min	10.8 m ³ /min	1800 kg

Operating air pressure is from 0.4 to 0.6 MPa (from 0.5 to 0.6MPa for TMH-45T)

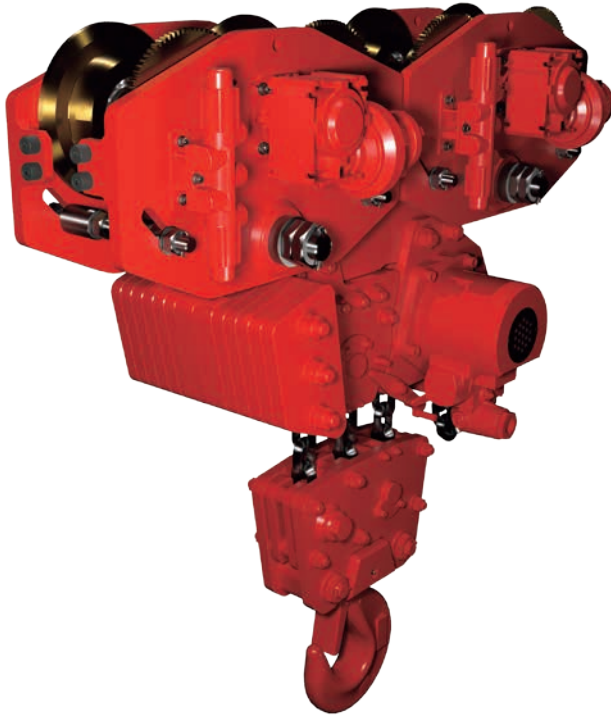
Please visit our website for details : <https://www.toku-net.co.jp/en/>

Large capacity of Air Hoist & Trolley TMH Series




RED ROOSTER
LIFTING

Air Hoist & Air Trolley



TMH-45T-AT45-2S

Standard Features

- ATEX zone 2 Specification
- Robust 3 step planetary gear box
- Failsafe automatic internal disc brake
- Choice of pendant controls or control stations
- Cast steel housing
- Mechanical upper & lower limit switches
- Alloy safety swivel hooks with safety catch
- Automatic load limiter
- Trolley to suit various flange profiles
- Anti-tilt & anti-drop plates
- High efficiency motor gear box
- Heavy duty sealed wheel bearings
- Wheel profile to suit parallel or tapered flanges
-  ATEX ZONE 2 AS STANDARD

Available Options

- Marine specification
- Special paint systems
- Corrosion protection
- ATEX zone 1 specification
- Articulated trolley
- Low head room units
- Rack & pinion drive
- Travel limits
- Air service units
- Festoon systems
- Radio control
- Optional travel speeds
- Corrosion protection

Specifications

Model	Lifting Capacity	No. of Chain Falls	Lifting		Maximum Air Cons (Hoist)	Air cons (Trolley)	Travel Speed	Weight (3M HOL & Trolley)
			Speed(W/L)	Speed(WO/L)				
TMH-9000/3-AT10S	9000 kg	3	1.8 m/min	3.6 m/min	4.08 m ³ /min	2.4 m ³ /min	8 m/min	314 kg
TMH-12000/4-AT10S	12000 kg	4	1.35 m/min	2.7 m/min	4.08 m ³ /min	2.4 m ³ /min	8 m/min	356 kg
TMH-15000/5-AT15S	15000 kg	5	1.08 m/min	2.16 m/min	4.08 m ³ /min	2.4 m ³ /min	6.8 m/min	507 kg
TMH-25T-AT25S	25000 kg	2	1.4 m/min	2.7 m/min	4.08 m ³ /min	2.4 m ³ /min	6.8 m/min	1000 kg
TMH-30T-AT30S	30000 kg	2	1.0 m/min	2.7 m/min	4.08 m ³ /min	2.4 m ³ /min	6 m/min	1000 kg
TMH-37.5T-AT37.5-2S	37500 kg	3	0.9 m/min	1.8 m/min	10.8 m ³ /min	4.8 m ³ /min	6 m/min	1727 kg
TMH-45T-AT45-2S	45000 kg	3	0.9 m/min	1.8 m/min	10.8 m ³ /min	4.8 m ³ /min	6 m/min	1727 kg
TMH-50T-AT50-2S	50000 kg	4	0.7 m/min	1.3 m/min	10.8 m ³ /min	4.8 m ³ /min	6 m/min	2214 kg

Operating air pressure is from 0.4 to 0.6 MPa (from 0.5 to 0.6MPa for TMH-30T-AT30S and TMH-45T-AT45-2S)

Please visit our website for details : <https://www.toku-net.co.jp/en/>

About TOKU Hoists

TCS Series

TCR Series

TMH Series

Manipulator Series

TMTOR and TMTMH Series

External Dimension

Chain Specification

Product Specification Table

Red Rooster Hoist



Main Plant



Kamimine Plant



Kishima Plant



Hirokawa Plant



Kiyama Plant

TOKU PNEUMATIC CO., LTD.

3-4, 4Chome,Katakasu, Hakata-ku, Fukuoka 812-0043 Japan

Phone : +81-92-431-0401

Fax : +81-92-431-1014

e-mail : int-op@toku-net.co.jp

URL : www.toku-net.co.jp/en/



Yamada Plant



EMS 89393/ISO 14001

DISTRIBUTOR